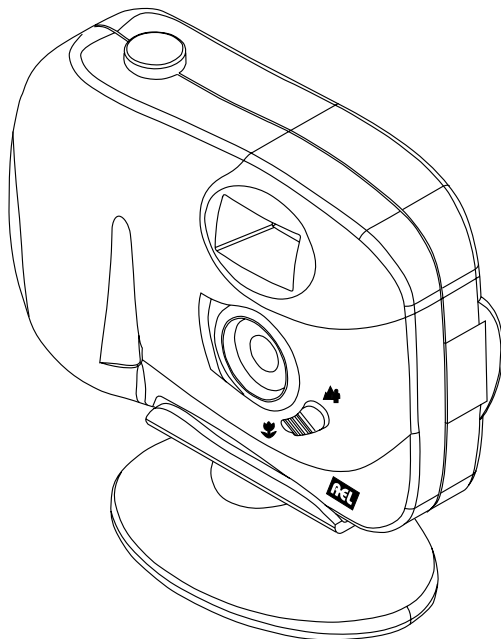


DIGITAL & PC CAMERA

USER'S GUIDE



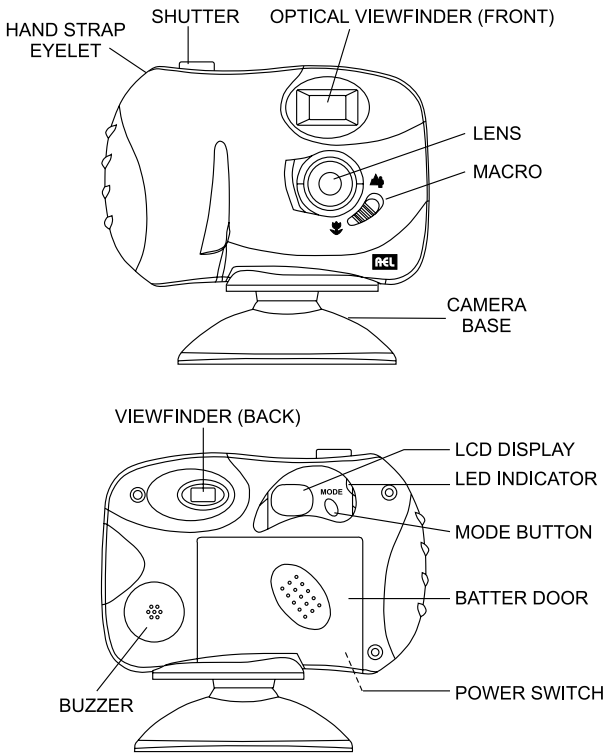
MODEL: DC-32U

First Things First

Unpack the Camera and Accessories

1. Digital Camera
2. USB Serial Cable
3. User's Guide
4. (PC) Image Editing Software (Option) & Drive Software

Camera Details



Power Supply

The digital Camera features two way to supply power to it; either use 3 batteries (size AAA) or via the USB connector when attached to a PC. Make sure that Power switch is on. If the LCD is blank then pressing the Mode button once will switch the camera on. The camera will beep twice and LED will light.

The LCD will briefly indicate the camera mode either 'Hr' for high resolution or 'Lr' for low resolution and then display the number of pictures which may be taken.

Inserting Batteries

- Turn Off Power Switch
- On the bottom of the camera, press and Slide the Battery chamber cover out in the direction of the large arrow to open it. A click can be heard when the compartment is released.
- Insert three (3) AAA batteries. Make sure to match the positive and negative ends of the batteries to the markings inside the battery compartment.
- Close the battery chamber cover by pushing down firmly and sliding it back until the latch closes with a click.

Important Notes:

- Never turn Off Power Switch or open the battery chamber cover. Doing so may cause all of the pictures to be lost!
- Low battery warning, when the LCD displays the number of pictures which may be taken, Please download all of pictures in the camera to PC as soon as possible. Doing so may cause all of the pictures to be lost!
- Never use manganese batteries.
- Your camera will not work if the batteries are inserted incorrectly.
- Don't use rechargeable battery.
- Never mix old batteries with new ones.
- Never mix batteries of different types.
- Never destroy batteries or dispose of by fire. Doing so can cause an explosion or leak caustic materials into the environment.

Auto Power Off

To conserve energy, the camera goes into "standby" mode automatically if no buttons are pressed for about 30 seconds. The LED will turn off and the LCD will go blank. Pressing the *Mode* button on the back of the camera once will turn it back on and any pictures taken will remain. The camera is restarted now.

Taking Pictures

Taking a pictures

- Take the picture with the optical viewfinder using the windows on the edge to enclose the image you want to take. The actual picture captured will be about equal or slightly larger than what you see in the optical viewfinder.
- Pressing the *Mode* button repeatedly cycles through additional features as display on the LCD. When a given feature is displayed it may be selected by pressing the shutter button.
- When a given feature is displayed it may be selected by pressing the shutter button. If an option is not selected within 5 seconds the display will revert to showing the number of available pictures.

Press the shutter button to take a picture. The camera will beep.

Tip

A high pitched beep indicates that the picture was taken successfully and the counter on LCD will decrement. A low beep indicates insufficient light to take a picture. A series of beeps indicates that the camera is full.

Self-timer

- Press the *Mode* button until 'St' appears in the LCD.
- Pressing the shutter button will now start a 10 second self-time. The camera will issue a short beep every second and then a longer beep. A further beep will then indicate that the picture has been taken.

Tip

The self-timer mode cannot be selected when the camera is full.

Continuous Mode

- Pictures may be taken continuously for as long as the shutter button (and the camera is not full) as follows:
- Press the *Mode* button until 'Ct' appears on the LCD.
- Press the shutter button and hold it. The camera will continue take pictures until the button is release or the camera is full.

Tip

- That during Continuous Mode the camera will allow pictures to be taken with Incorrect exposure.
- Pressing the *shutter* button within 5 seconds will cause the camera to start.

Selecting picture resolution

To change resolution press the *Mode* button until the resolution option is displayed, either 'Hr' to change to high-resolution Mode (If you are currently in low-resolution Mode) or 'Lr' to change to low resolution. The camera will beep and the display will reset and indicate the number of pictures available.

Tip

- Mix storing 'Hr' & 'Lr' pictures is OK at in turn.

Resolution & number of pictures Table

Model	Hr Mode/Pictures	Lr Mode/Pictures
DC-32U	640x480 / 26	320x240 / 107

Clearing the stored images

- Press the *Mode* button until 'CL' appears in the LCD.
- Pressing the shutter button once will cause the camera to beep and the 'CL' to start flashing.

Tip

Pressing the shutter button again within 5 seconds will clear the camera and reset the picture counter.

Software

Introduction to camera's TWAIN Drive

TWAIN drive defined by a standard software protocol and API for communication between software application and image acquisition device (digital cameras and scanners). The TWAIN drive is the software that transfers photos from the digital camera into image-editing software.

Installing TWAIN Drive & Application Software

At first, you need to install the drivers so that you can use the camera with your PC.

TWAIN Drive

WINDOWS 98 & 2000

- Put the installation CD in the CD-ROM driver, the windows will automatically run the setup program, or you can run the AUTORUN.EXE manually.
- Select "INSTALL TWAIN DRIVER" to install the camera driver.

Application Software

WINDOWS 98 & 2000

- Select "INSTALL APPLICATION"
- Enter the destination directory which you want to install. The default destination directory is C:\Program Files\EZCam.

Tip

- The camera driver is the base component, you must install this component, otherwise your camera can not work correctly.
- The camera requires only standard USB and TWAIN driver to work with any WINDOW'S 98 or above standard compliance video and imaging application.

Uploading pictures from the camera to PC

Using a USB connection, a PC running WINDOWS 98 is required to upload pictures from the camera to PC. Stored pictures may be upload to a PC at any time whether or not the camera is full.

- Connect USB Cable between PC and the camera, the camera will beep twice.
- Double click the **EZCam** icon which on desktop to start the application software.
- Select "Select Source" in "File" item
- Select "**EZCam**" or "STV0680 Camera"
- Select "Get Pictures" in "File" item to upload pictures to PC.

Tip

Plugging the USB connector into the camera will cause it to reset and issue a double beep but all stored pictures will remain. When the USB connector is unplugged the camera will switch itself off. When connected to the PC again, the camera may still be used in the normal way.

Use AVIcreator to store and play the AVI file from the camera

- Select 'Continuous mode' to take pictures continuously.
- Start EZCam. Click "AVI Creator".
- Select 'Create' item.
- Upload all of pictures in the camera & store AVI file to PC.
- Play the AVI file.

References

Specification

Product Type: Digital Camera

Imaging Device: 1/3-Inch CMOS

Take Picture Mode: Single/Self-Timer/Continues/PC Camera/Capture & Store AVI files

Image Quality: Fine/Normal

Image Resolution: 640x480 pixels (VGA)

PC Camera Resolution: 640x480 pixels (VGA)
320x240 pixels (QVGA)

Recording System: Digital (24 Bit Color RGB Bmp based)

Recording Medium: 4Mbytes SDRAM

Erase Function: all Images

Computer Interface: USB

Focal Length: 6.57mm

Aperture: f=3.2

Focus Range: 0.65m ~ infinity

Shutter Speeds: 1/20 ~ 1/1000 second (Auto)

LCD Monitor: B/W 2x7 Seg. indicator

Power Source: 3x1.5V AAA-size batteries

Operation Degree: 5 ~ 40°C

Weight: about 100g without batteries

Dimensions: 72(H) x 108(W) x 38(D) mm max.

- **Design and specification are subject to change without notice.**

Troubleshooting

Q: The camera doesn't work on when I turn on Power switch.

A: The batteries are missing, dead, or are not loaded correctly. Correctly load new batteries in the battery chamber.

Q: The power supply suddenly turned off

A: Most likely, the batteries you have are getting too weak to sustain operation of the camera. Please replace old batteries with new.

Tip

- Check the LCD display the number of pictures if bicker or not when you use the camera, if so, upload all picture to PC as soon as possible, replace old batteries with new.
- Make sure that recharge batteries does not in use. Replace recharge batteries with normal batteries immediately.

Taking care of your camera

Your camera is a precision instrument designed, handled and cared for properly, the camera should give years of trouble free imaging. In order to avoid damaging the unit:

Do Not

- Drop or bang the camera.
- Drop into water or expose the camera to rain or splashing. Your camera is not waterproof and is particularly susceptible to damage.
- Subject the camera to extreme high or low temperature and/or humidity. Your camera's batteries will not function properly in extreme conditions. Excessive temperature and humidity may cause serious damage.
- Subject the camera to excessive vibrations. When you travel, always make sure to use the carrying case, and pack the camera where it will not be.
- Subjected to a lot of jarring movement. This could loosen screws or damage internal camera components.

Do

- Make sure any tripod used has a screw that fits the camera's tripod mount. Appropriately. A longer tripod screw could puncture and damage the camera's casing and internal structure.